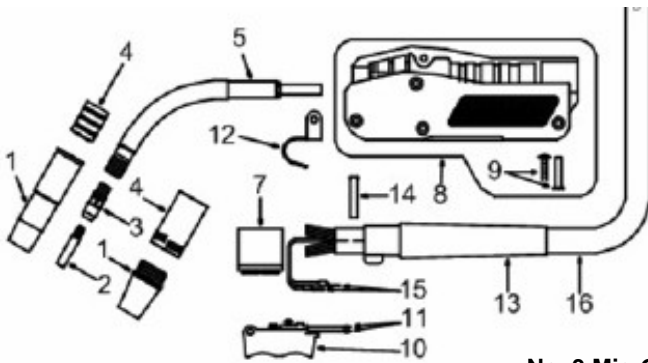
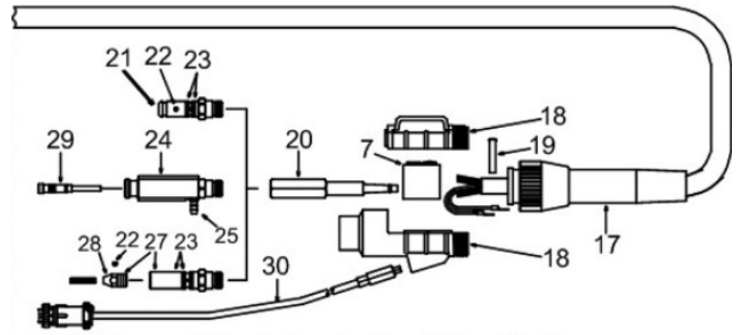


TWECO PROFESSIONAL MIG-GUN REPLACEMENT PARTS

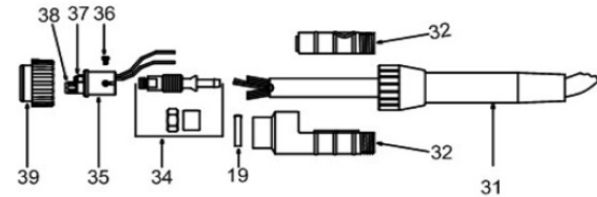


No. 3 Mig Guns



All Tweco, Miller & Lincoln Direct Plug Mig Guns

Description	#3	Description	#3
1 Nozzle Series	23	22 Set Screw	44C 2040-2044
2 Contact Tip Series	14	23 O-Rings	224S 2064-2059
3 Diffuser Series	54	24 Heavy Duty Lincoln Connector Plug	350-174LH 2035-2112
4 Nozzle Insulator Series	n/a	24 Lincoln Connector Plug	174TL-L 2035-2132
5 Conductor Tube Series	63J	25 Gas Nipple	35-170-5 20002175
6 Conductor Tube Retaining Nut	n/a	27 Heavy Duty Miller Connector Plug	350-174MH 2035-2111
7 Front Power Connector	102 2020-2102	27 Miller Connector Plug	174TL-M 2035-2131
7 Rear Power Connector	104 2040-2104	28 Miller Connector Plug End Cap	174M-N 2040-2184
8 Handle	83 2030-2083	29 Liner Series	44
9 Binder Post and Screw	122FM 2020-2122	30 Generic Control Wire Plug	AK-354 2642-2400
10 Trigger Assembly	92 2020-2092	30 Thermal Arc Control Wire Plug	AK354-TA 2642-2410
11 Trigger Blades (2 ea)	92C 2020-2094	30 Lincoln Control Wire Plug	LAK-354 2642-2450
12 Gun Hanger	152 2020-2152	30 Miller Control Wire Plug	MSAK-354 2642-2470
13 Front Cable Support	142-6 2020-2142	31 Euro Guns Rear Support	350R-230-10 2035-2235
14 Cable Clamp	136 2060-2690	32 Euro Guns Rear Case	X6RC 2060-2006
15 Front Control Wire Terminals	244 2040-2244	34 Euro Guns Rear Power Connector	174X-M 2040-2181
16 Cablehoz (per ft.)	300 1730-2100	35 Euro-Kwik Body Assembly	174EX-1 2040-2276
17 Rear Cable Support	350R-230-10 2035-2235	36 Screw	4M-S 2011-2004
18 Rear Case	M6RC 2060-2018	37 O-Ring	174EX-1G 2040-2282
19 Cable Clamp	136 2060-2690	38 Euro Connector Conduit Cap	174EX-1C 2040-2279
20 Heavy Duty Power Adapter	M170-4H 2020-2166	39 Euro Connector Nut	174X-2 2040-2177
20 Power Cable Adapter	M170-4 2040-2185		
21 Heavy Duty TWECO Connector Plug	350-174H 2035-2110		
21 TWECO Connector Plug	350-174 2035-2174		



All Euro-Kwik Mig Guns